

JVC

SCHEMATIC DIAGRAMS

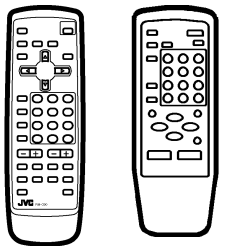
COLOUR TELEVISION

AV-21DTT2 AV-21DTG2

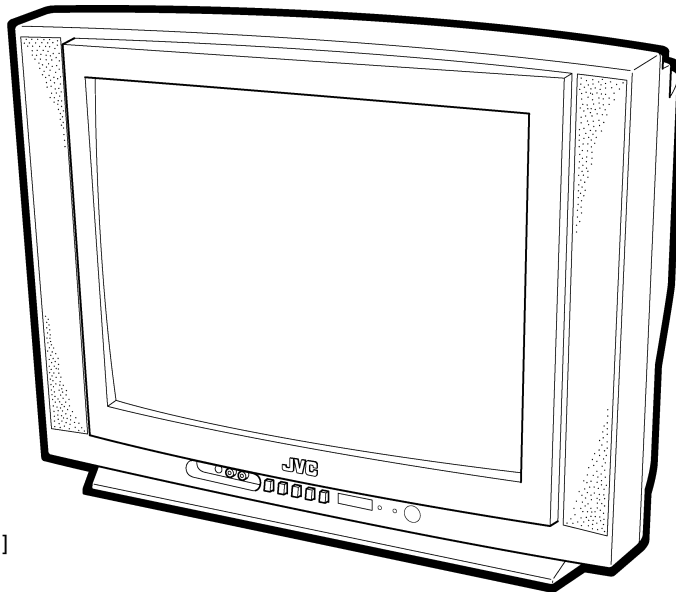
CD-ROM No.SML200107

BASIC CHASSIS

CG



[RM-C90] [RM-C364]



CONTENTS

- NOTE ON USING CIRCUIT DIAGRAMS 2-1
- SEMICONDUCTOR SHAPES 2-2
- BLOCK DIAGRAM 2-3
- CIRCUIT DIAGRAMS 2-7
- PATTERN DIAGRAMS 2-11

CONTENTS

SEMICONDUCTOR SHAPES 2-2

BLOCK DIAGRAM 2-3

CIRCUIT DIAGRAMS

MAIN PWB CIRCUIT DIAGRAM 2-7

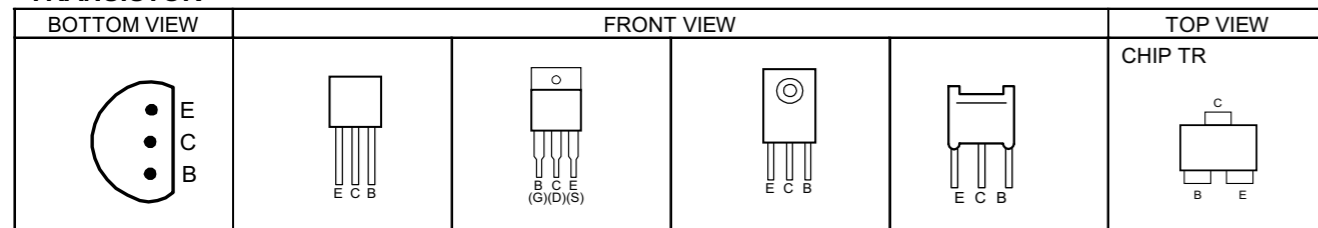
PATTERN DIAGRAMS

MAIN PWB PATTERN 2-11

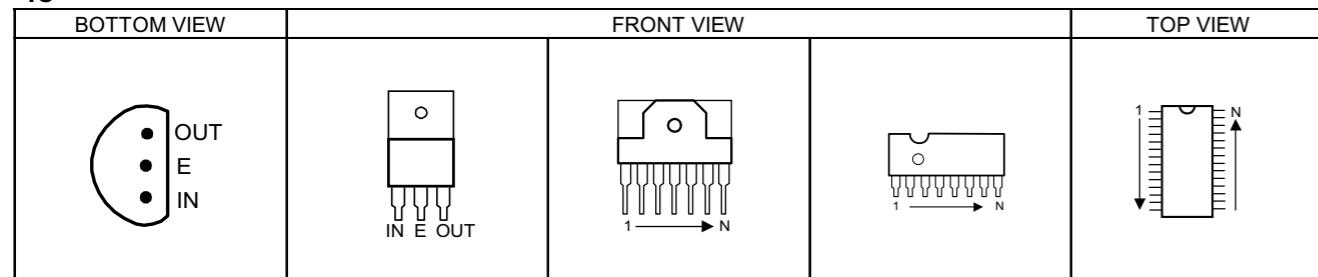
CRT SOCKET PWB PATTERN 2-13

SEMICONDUCTOR SHAPES

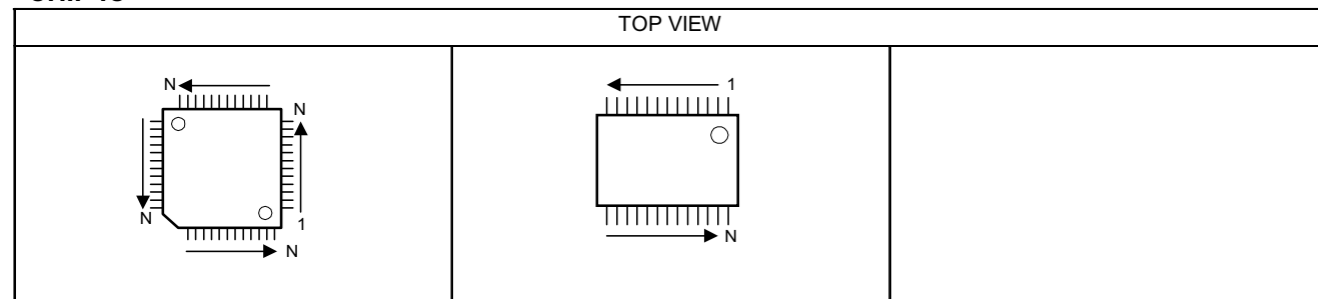
TRANSISTOR



IC



CHIP IC



STANDARD CIRCUIT DIAGRAM

NOTE ON USING CIRCUIT DIAGRAMS

1.SAFETY

The components identified by the Δ symbol and shading are critical for safety. For continued safety replace safety critical components only with manufactures recommended parts.

2.SPECIFIED VOLTAGE AND WAVEFORM VALUES

The voltage and waveform values have been measured under the following conditions.

- (1)Input signal : Color bar signal
 - (2)Setting positions of each knob/button and variable resistor :Original setting position when shipped
 - (3)Internal resistance of tester :DC 20k Ω /V
 - (4)Oscilloscope sweeping time :H \Rightarrow 20 μ S/div
:V \Rightarrow 5mS/div
:Others \Rightarrow Sweeping time is specified
 - (5)Voltage values :All DC voltage values
- * Since the voltage values of signal circuit vary to some extent according to adjustments, use them as reference values.

3.INDICATION OF PARTS SYMBOL [EXAMPLE]

●In the PW board :R1209 \rightarrow R209

4.INDICATIONS ON THE CIRCUIT DIAGRAM

(1)Resistors

●Resistance value

- No unit :[Ω]
- K :[K Ω]
- M :[M Ω]

●Rated allowable power

- No indication :1/16 [W]
- Others :As specified

●Type

- No indication :Carbon resistor
- OMR :Oxide metal film resistor
- MFR :Metal film resistor
- MPR :Metal plate resistor
- UNFR :Uninflamable resistor
- FR :Fusible resistor

*Composition resistor 1/2 [W] is specified as 1/2S or Comp.

(2)Capacitors

●Capacitance value

- 1 or higher :[pF]
- less than 1 :[μ F]

●Withstand voltage

- No indication :DC50[V]
- Others :DC withstand voltage [V]
- AC indicated :AC withstand voltage [V]

*Electrolytic Capacitors

47/50[Example]:Capacitance value [μ F]/withstand voltage[V]

- Type
- No indication :Ceramic capacitor
- MY :Mylar capacitor
- MM :Metalized mylar capacitor
- PP :Polypropylene capacitor
- MPP :Metalized polypropylene capacitor
- MF :Metalized film capacitor
- TF :Thin film capacitor
- BP :Bipolar electrolytic capacitor
- TAN :Tantalum capacitor
- (3)Coils
- No unit :[μ H]
- Others :As specified

(4)Power Supply

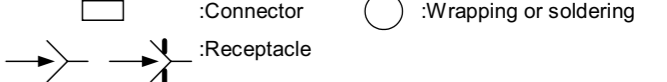


*Respective voltage values are indicated

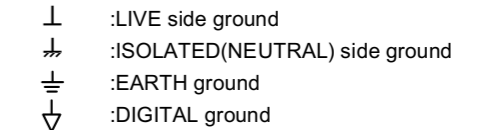
(5)Test point



(6)Connecting method



(7)Ground symbol



5.NOTE FOR REPAIRING SERVICE

This model's power circuit is partly different in the GND. The difference of the GND is shown by the LIVE : (⊥) side GND and the ISOLATED(NEUTRAL) : (≡) side GND. Therefore, care must be taken for the following points.

- (1)Do not touch the LIVE side GND or the LIVE side GND and the ISOLATED(NEUTRAL) side GND simultaneously. If the above caution is not respected, an electric shock may be caused. Therefore, make sure that the power cord is surely removed from the receptacle when, for example, the chassis is pulled out.
- (2)Do not short between the LIVE side GND and ISOLATED(NEUTRAL) side GND or never measure with a measuring apparatus (oscilloscope, etc.) the LIVE side GND and ISOLATED(NEUTRAL) side GND at the same time. If the above precaution is not respected , a fuse or any parts will be broken.

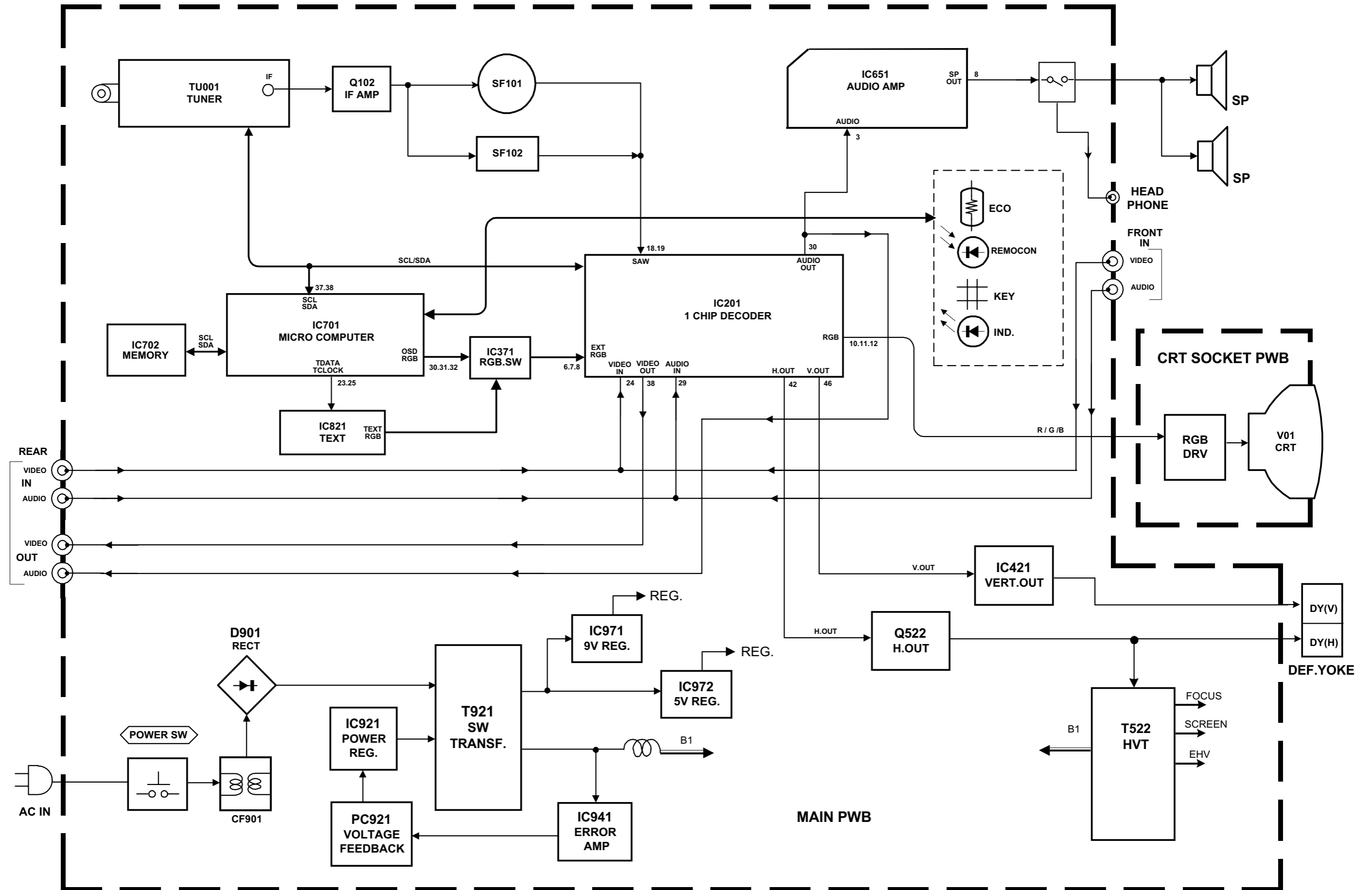
◇ Since the circuit diagram is a standard one, the circuit and circuit constants may be subject to change for improvement without any notice.

◇ NOTE

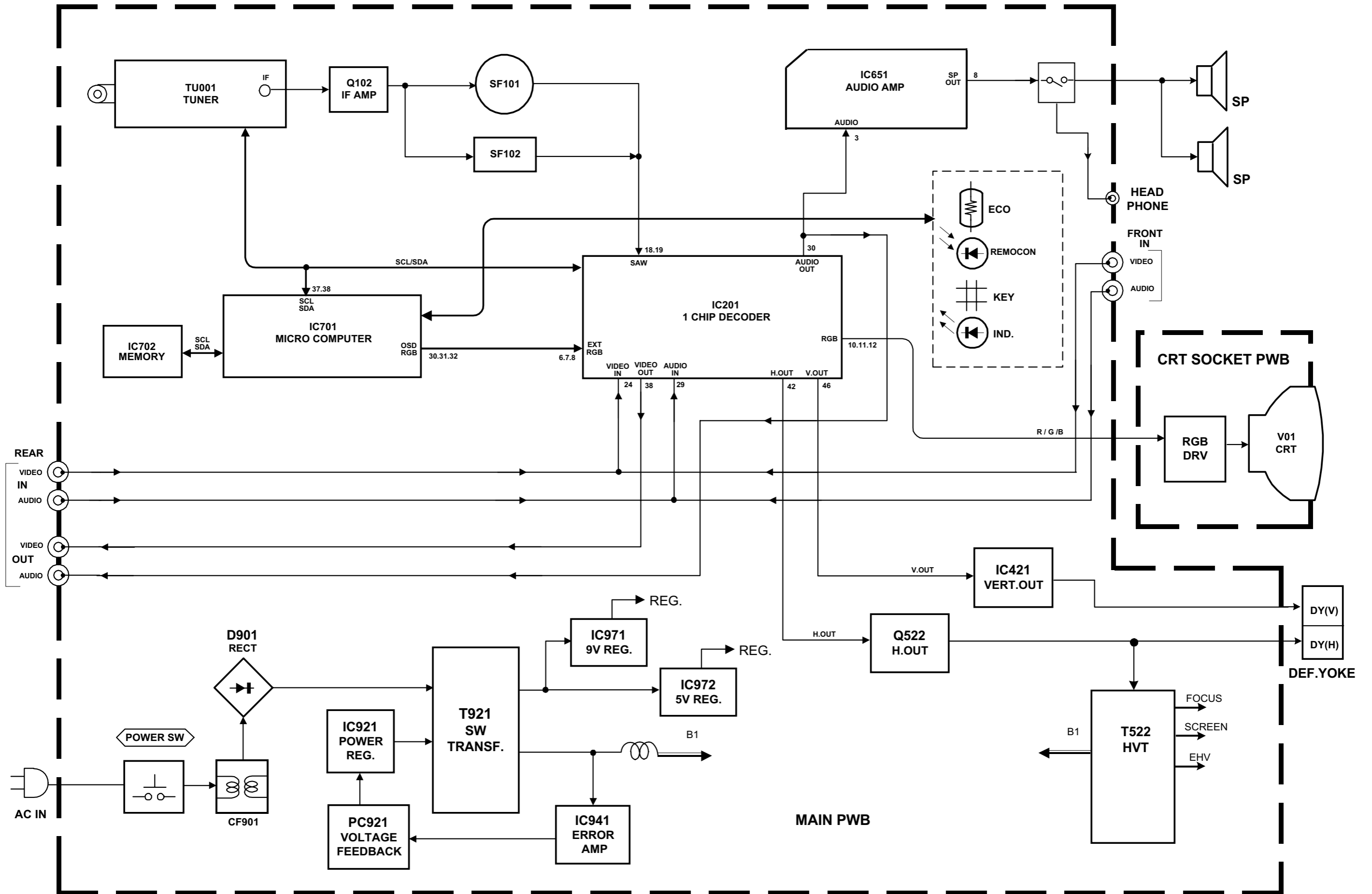
Due improvement in performance, some part numbers show in the circuit diagram may not agree with those indicated in the part list.

When ordering parts, please use the numbers that appear in the Parts List.

BLOCK DIAGRAM [AV-21DTT2]



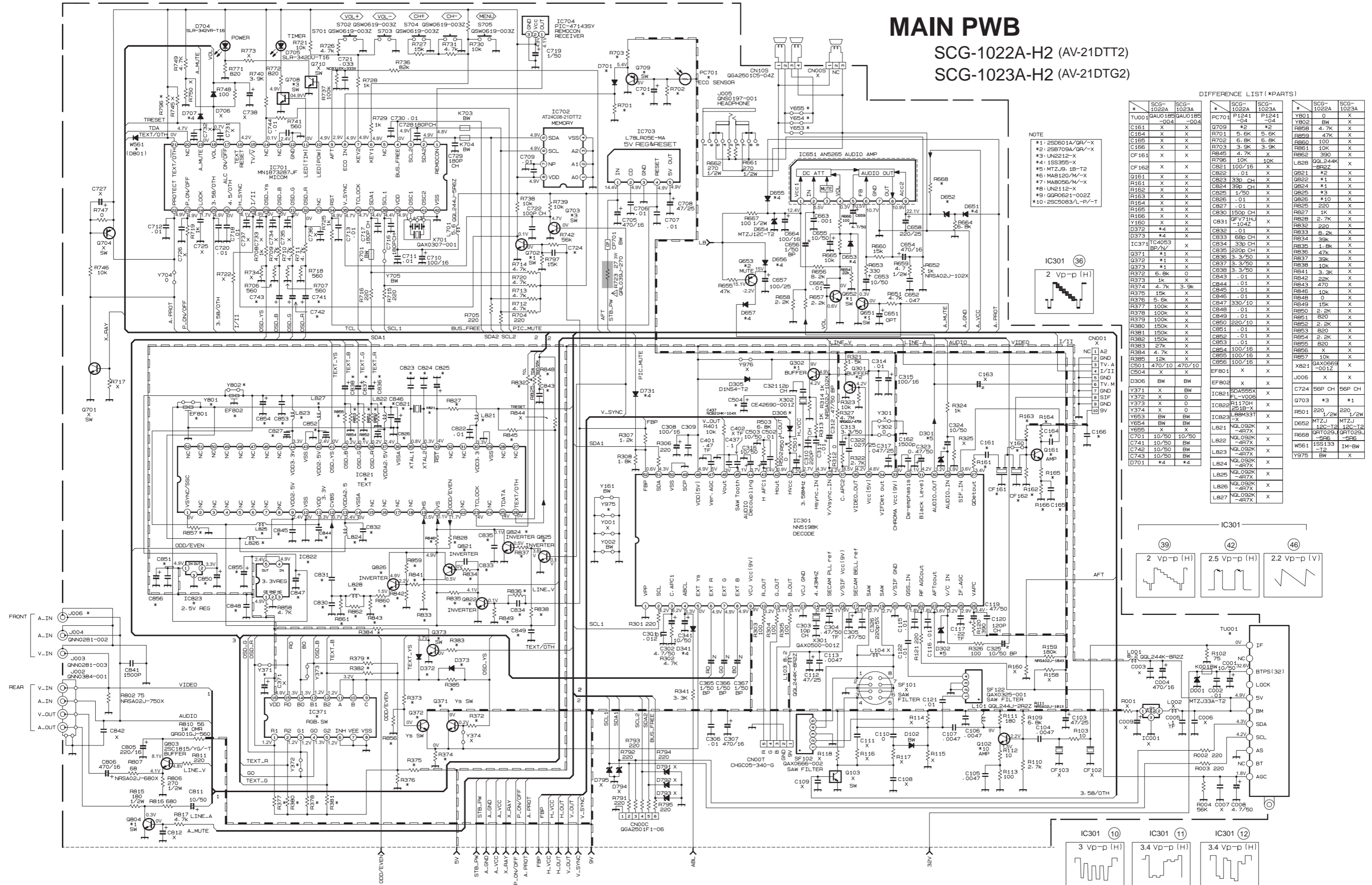
BLOCK DIAGRAM [AV-21DTG2]



CIRCUIT DIAGRAMS MAIN PWB CIRCUIT DIAGRAMS [1/2]

MAIN PWB

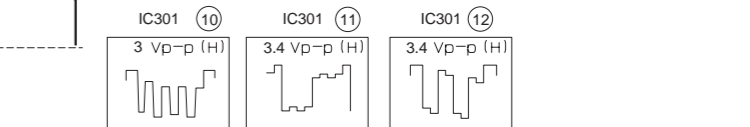
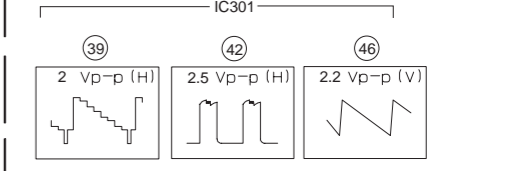
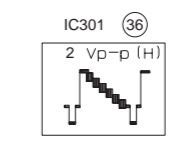
SCG-1022A-H2 (AV-21DTT2)
SCG-1023A-H2 (AV-21DTG2)



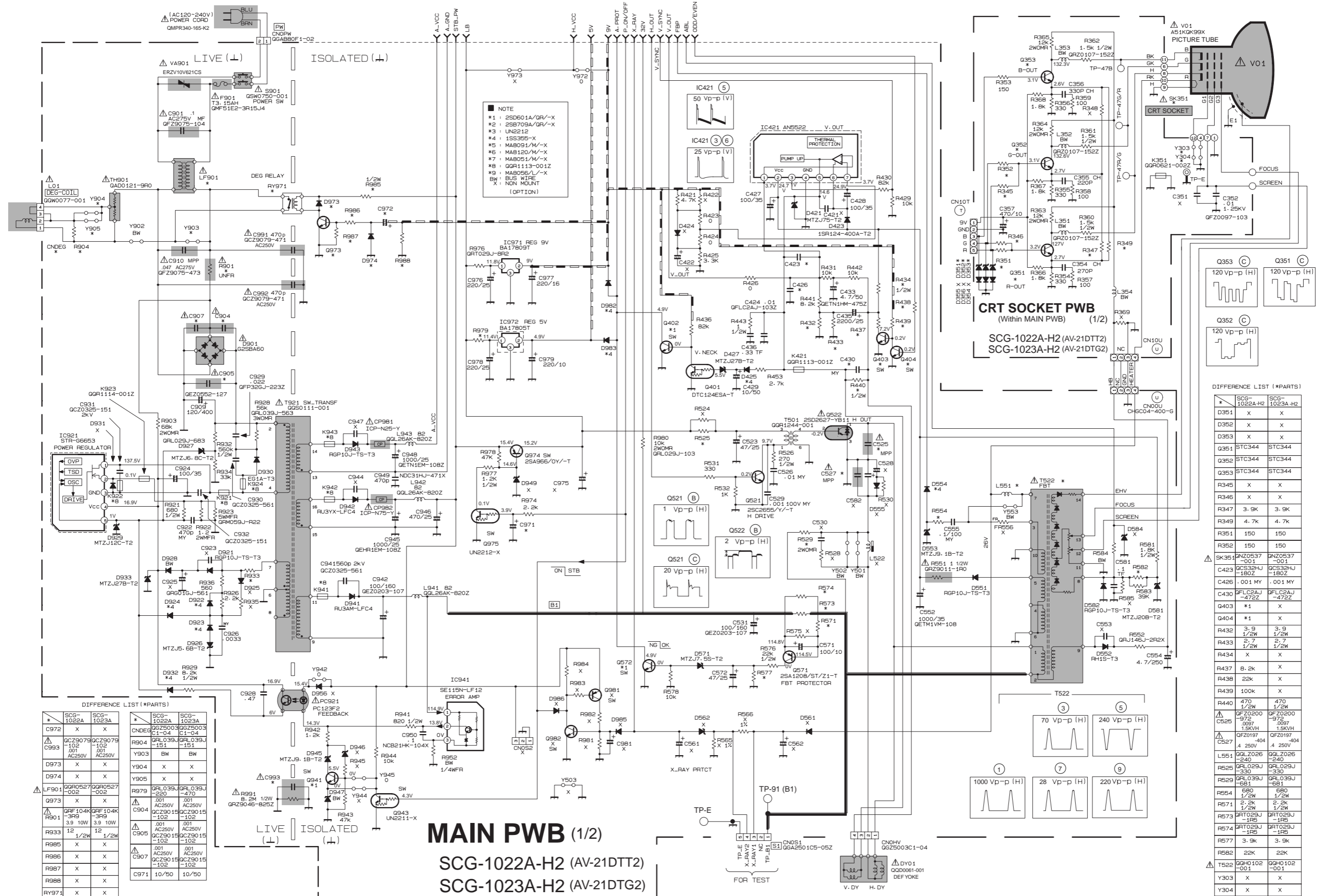
DIFFERENCE LIST (*PARTS)

SCG-1022A	SCG-1023A	SCG-1022A	SCG-1023A	SCG-1022A	SCG-1023A
TU001	GAU0189	GAU0189	GAU0189	Y801	10 X
C161	X	X	X	R701	5.6K 5.6K
C164	X	X	X	R702	6.8K 6.8K
C165	X	X	X	R703	3.9K 3.9K
C166	X	X	X	R845	4.7K X
CF161	X	X	X	R796	10K 10K
CF162	X	X	X	CB21	100/16 X
G161	X	X	X	CB22	.01 X
G161	X	X	X	CB23	33p CH X
G161	X	X	X	CB24	33p CH X
G162	X	X	X	CB25	1/50 X
G163	X	X	X	CB26	.01 X
G164	X	X	X	CB27	.01 X
G165	X	X	X	CB30	150p CH X
G166	X	X	X	CB31	0V71HJ -104Z X
Y160	X	X	X	CB32	.01 X
D372	*4 X	X	X	CB33	68p CH X
D373	*4 X	X	X	CB34	33p CH X
IC371	TC4053	X	X	CB35	220p CH X
G371	*1 X	X	X	CB36	3.3/50 X
G372	*1 X	X	X	CB37	3.3/50 X
G373	*1 X	X	X	CB38	3.3/50 X
R372	6.8k	0	0	CB43	.01 X
R373	1k	0	0	CB44	.01 X
R374	4.7k 3.9k	0	0	CB45	.01 X
R375	15k	0	0	CB46	.01 X
R376	5.6k X	0	0	CB47	.01 X
R377	100k X	0	0	CB47	330/10 X
R378	100k X	0	0	CB47	100/16 X
R379	100k X	0	0	CB49	.01 X
R380	150k X	0	0	CB50	220/10 X
R381	150k X	0	0	CB51	.01 X
R382	150k X	0	0	CB52	.01 X
R383	27k X	0	0	CB53	.01 X
R384	4.7k X	0	0	CB54	100/16 X
R385	12k X	0	0	CB55	100/16 X
CS01	470/10	470/10	470/10	CB56	100/16 X
CS04	X	X	X	EFB01	X X
D306	BW	BW	BW	EFB02	X X
Y371	X	BW	BW	IC821	SDA555X
Y372	X	0	0	IC822	FL-V006
Y373	X	0	0	IC823	2518-X
Y374	X	0	0	IC823	LBM33T
Y553	BW	BW	BW	IC823	LBM33T
Y554	BW	BW	BW	LB21	NL092K
Y555	X	X	X	LB21	4R7X X
C701	10/50	10/50	10/50	LB22	NL092K
C742	10/50	SW	SW	LB22	4R7X X
C743	10/50	BW	BW	LB23	NL092K
D701	*4	*4	*4	LB23	4R7X X
				LB24	NL092K
				LB24	4R7X X
				LB25	NL092K
				LB25	4R7X X
				LB26	NL092K
				LB26	4R7X X
				LB27	NL092K
				LB27	4R7X X

NOTE
*1: 2SD601A/QA/-X
*2: 2SB709A/QA/-X
*3: UN212-X
*4: 1S335-X
*5: MTZJ9.1B-T2
*6: MAB120/M-X
*7: MAB056/M-X
*8: UN212-X
*9: GQR0621-002Z
*10: 2SC5083/L-F/T



MAIN PWB CIRCUIT DIAGRAM [2/2]



NOTE
 *1 : 2SD601A/GR/-X
 *2 : 2SB709A/GR/-X
 *3 : UN2212
 *4 : 1SS355-X
 *5 : MAB091/M/-X
 *6 : MAB120/M/-X
 *7 : MAB051/M/-X
 *8 : GQR1113-001Z
 *9 : MAB056/L/-X
 BW : BUS WIRE
 X : NDN MOUNT
 (OPTION)

CRT SOCKET PWB
 (Within MAIN PWB) (1/2)
 SCG-1022A-H2 (AV-21DTT2)
 SCG-1023A-H2 (AV-21DTG2)

DIFFERENCE LIST (*PARTS)

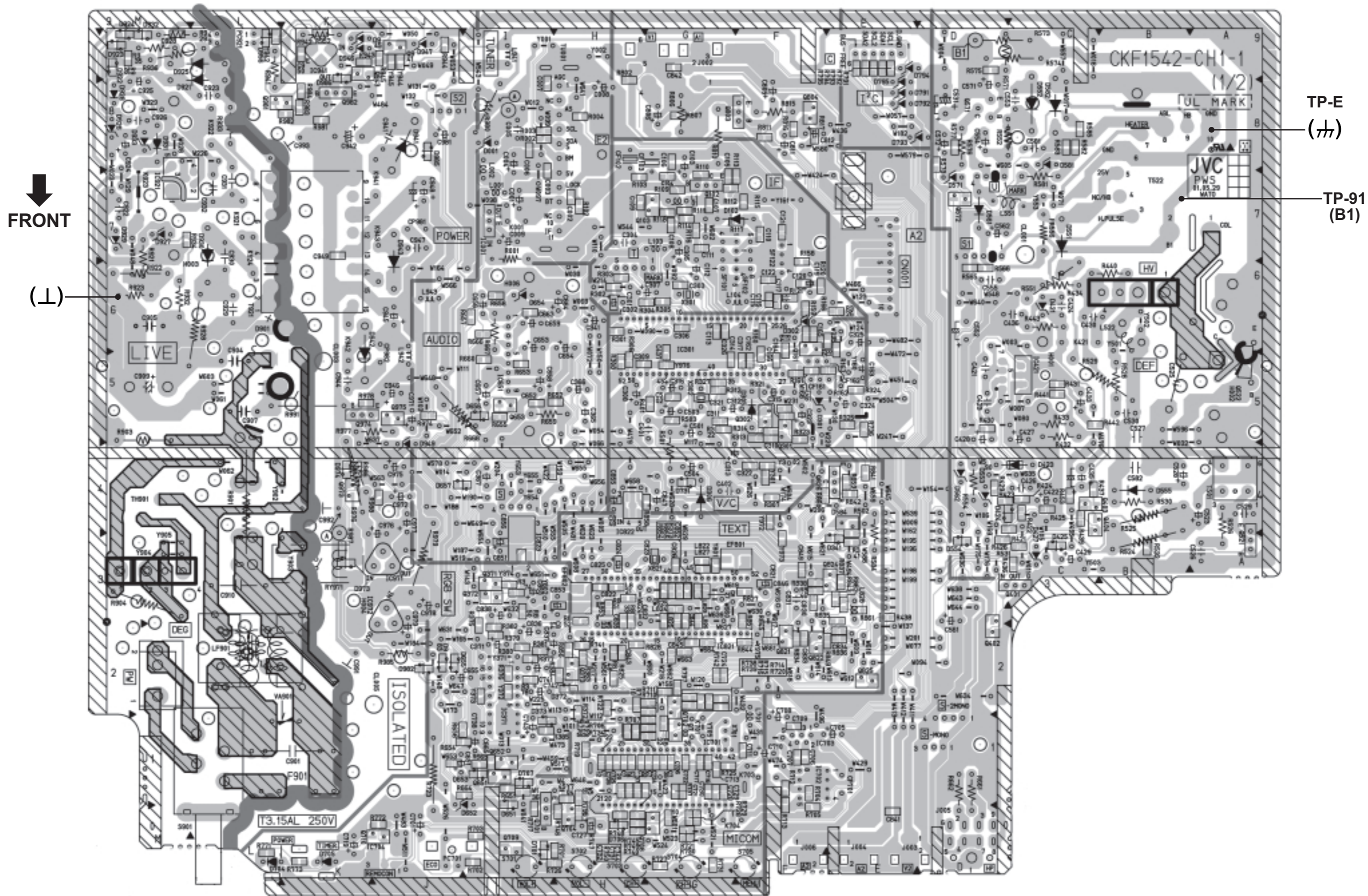
* PART	SCG-1022A-H2	SCG-1023A-H2
D351	X	X
D352	X	X
D353	X	X
Q351	STC344	STC344
Q352	STC344	STC344
Q353	STC344	STC344
R345	X	X
R346	X	X
R347	3.9K	3.9K
R349	4.7K	4.7K
R351	150	150
R352	150	150
SK351	QNZ0537-001	QNZ0537-001
C423	GCS32HJ-180Z	GCS32HJ-180Z
C426	.001 MY	.001 MY
C430	FCLC2AJ-472Z	FCLC2AJ-472Z
Q403	*1	X
Q404	*1	X
R432	3.9 1/2W	3.9 1/2W
R433	2.7 1/2W	2.7 1/2W
R434	X	X
R437	8.2K	X
R438	22K	X
R439	100K	X
R440	470 1/2W	470 1/2W
C525	QFZ0200-372	QFZ0200-372
C527	QFZ0197-404	QFZ0197-404
L551	QQLZ026-240	QQLZ026-240
R525	QRL029J-330	QRL029J-330
R529	QRL039J-681	QRL039J-681
R554	680 1/2W	680 1/2W
R571	2.2K 1/2W	2.2K 1/2W
R573	QRT029J-1R5	QRT029J-1R5
R574	QRT029J-1R5	QRT029J-1R5
R577	3.9K	3.9K
R582	22K	22K
T522	QGH0102-001	QGH0102-001
Y303	X	X
Y304	X	X

DIFFERENCE LIST (*PARTS)

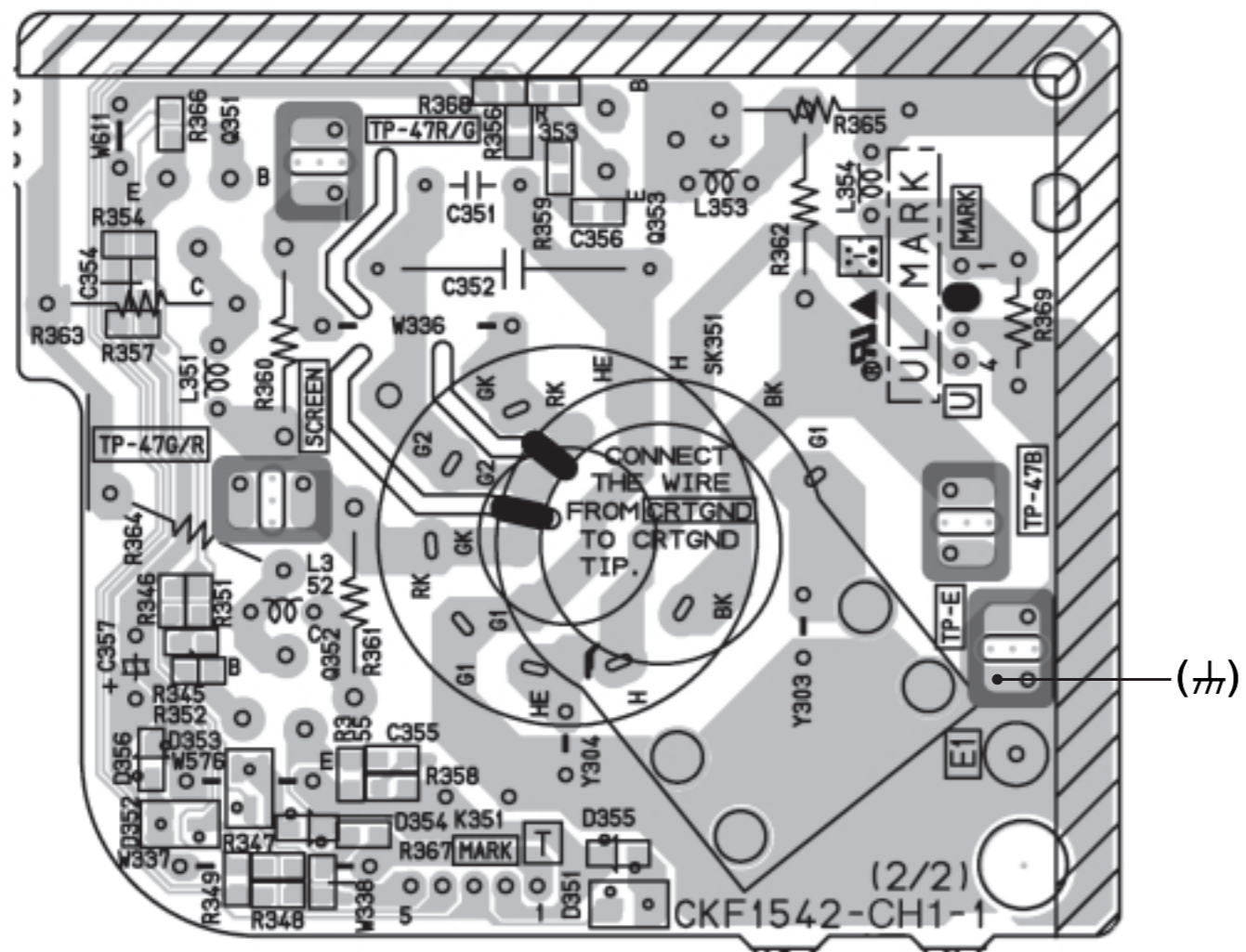
* PART	SCG-1022A	SCG-1023A
C972	X	X
C993	GCZ9079	GCZ9079
D973	X	X
D974	X	X
D975	X	X
D976	X	X
D977	X	X
D978	X	X
D979	X	X
D980	X	X
D981	X	X
D982	X	X
D983	X	X
D984	X	X
D985	X	X
D986	X	X
D987	X	X
D988	X	X
D989	X	X
D990	X	X
D991	X	X
D992	X	X
D993	X	X
D994	X	X
D995	X	X
D996	X	X
D997	X	X
D998	X	X
D999	X	X
D1000	X	X

MAIN PWB (1/2)
 SCG-1022A-H2 (AV-21DTT2)
 SCG-1023A-H2 (AV-21DTG2)

PATTERN DIAGRAMS MAIN PWB PATTERN



CRT SOCKET PWB PATTERN



JVC

VICTOR COMPANY OF JAPAN, LIMITED

HOME AV NETWORK BUSINESS UNIT 12, 3-chome, Moriya-cho, Knagawa-ku, Yokohama, Kanagawa-prefecture, 221-8528, Japan

AV21DTT2-H #4
AV21DTG2-H #4



Printed in Japan
VP 0107
DP6051